

AERONAUTICAL TELECOMMUNICATION NETWORK PANEL

Langen - June/July 97

ATNP Archive and Electronic Mailing Lists

Prepared by: Stéphane Tamalet

Presented by: Arnaud Dedryvère

SUMMARY

The structure of the ATNP archive and the set of ATNP mailing lists currently maintained by the French DGAC in Toulouse, have been modified in order to better suit the new work programme of the ATNP which is now focused on the maintenance of the CNS/ATM-1 ATN SARPs and the development of the CNS/ATM-2 ATN SARPs.

This document describes the new structure of the ATNP Archive/Server (formerly called the ATN Validation Archive) and the procedures that should be used to put and get documents.

The document also contains explanations about the new set of ATNP electronic mailing lists and the way they should be used.

REVISION HISTORY

Section	Date	Issue	Reason for Change
	12 January 1995	Issue 1.0	Document Creation
	13 May 1996	Issue 2.0	Update
	17 June 1996	Issue 3.0	Update
	07 October 1996	Issue 4.0	Update
	4 June 1997	Issue 5.0	new mailing lists+new archive structure

TABLE OF CONTENTS

1. SCOPE AND PURPOSE OF THIS PAPER	4
2. ACRONYMS	4
3. THE ATNP MAILING LISTS	5
3.1. DESCRIPTION OF THE MAILING LISTS	5
3.2. HOW TO USE THE MAILING LISTS	7
3.2.1. <i>Subscribing to a list</i>	7
3.2.2. <i>Sending an email to a mailing list</i>	8
3.2.3. <i>Unsubscribing from a list</i>	8
3.3. ERROR MANAGEMENT FOR THE MAILING LISTS	8
3.4. PROCEDURES FOR THE LIST OWNERS	Error! Bookmark not defined.
4. STRUCTURE OF THE ATNP ARCHIVE	10
4.1. LOCATION OF THE ATNP ARCHIVE	10
4.2. STRUCTURE OF THE ATNP ARCHIVE	10
4.3. ACCESS TO THE ATNP ARCHIVE	12
4.3.1. <i>How to put a document on the Archive</i>	13
4.3.2. <i>How to get a document from the Archive</i>	13
4.4. MANAGEMENT OF THE ATNP ARCHIVE	14

ATNP Archive and Electronic Mailing Lists

1. Scope and Purpose of this Paper

This document is aimed at describing the new architecture of the ATNP Archive/Server and the new set of ATNP electronic mailing lists currently maintained by the French DGAC in Toulouse .

The archive and the mailing lists have been modified in order to better suit the new work programme of the ATNP which is now focused on the maintenance of the CNS/ATM-1 ATN SARPs and the development of the CNS/ATM-2 ATN SARPs. The new structure takes namely into account the archiving and mailing requirements of the new ATNP CCB.

This paper contains a detailed description of the archive, and of the procedures to be used to access this archive.

This document will continue to be updated each time the archive structure or the access methods change, and it will be distributed on the **atnp_wg2** and **atnp_wg3** mailing lists.

2. Acronyms

CCB	Configuration Control Board
AAM	ATNP Archive Manager

3. The ATNP mailing lists

3.1. Description of the mailing lists

In support of the ATNP activities, electronic mail distribution lists have been established at CENA/Toulouse (France). These lists have been established to support technical discussions and ATN SARPs development/maintenance activities.

The supported ATNP mailing lists are either « open » or « closed » unmoderated public lists. A subscriber to an « open » list is approved automatically. All subscriptions to « closed » lists are sent to the list owner for approval.

The list owner is the person who will run day-to-day operations of a mailing list by responding to system mail messages for approving subscriptions, and will receive notifications of successful subscriptions or unsubscriptions, and bounces (messages sent to the list that weren't delivered).

Messages exchanged on these mailing lists are not archived by CENA. If archiving is deemed necessary, it is the responsibility of the owner of each list to manage an archive on their own site.

The ATNP mailing lists supported by CENA/Toulouse are:

atnp_ccb_chair@cenatls.cena.dgac.fr

Type of the list: closed

List owner: The CCB Chairman (Steve Van Trees <vantrees@sed.stel.com>)

Purpose: This list will only include the ATNP CCB members and will be used for CCB level communication, for CCB voting and for the initial submission of a PDR.

atnp_ccb_list@cenatls.cena.dgac.fr

Type of the list: open

List owner: The CCB Chairman (Steve Van Trees <vantrees@sed.stel.com>)

Purpose: This list will be opened to any ATN interested party and will be used to disseminate all CCB decisions

atnp_ccb_smel@cenatls.cena.dgac.fr

Type of the list: closed

List owner: The Subvolume 1 SME (Benoit Gosselin <gossebe@navcanada.ca>)

Purpose: This list will only include members of the SME 1 team and will be used to progress the resolution of PDRs assigned to the SME 1.

atnp_ccb_sme2@cenatls.cena.dgac.fr

Type of the list: closed

List owner: The Subvolume 2 SME (Frederic Picard <picard_frederic@stna.dgac.fr>)

Purpose: This list will only include members of the SME 2 team and will be used to progress the resolution of PDRs assigned to the SME 2.

atnp_ccb_sme31@cenatls.cena.dgac.fr

Type of the list: closed

List owner: The Subvolume 3 SME (Jean-Marc Vacher <vacher_jean-marc@stna.dgac.fr>)

Purpose: This list will only include members of the SME 3 team and will be used to progress the resolution of PDRs assigned to the SME 3, and related to ATSMHS SARPs.

atnp_ccb_sme32@cenatls.cena.dgac.fr

Type of the list: closed

List owner: The Subvolume 3 SME (Jean-Marc Vacher <vacher_jean-marc@stna.dgac.fr>)

Purpose: This list will only include members of the SME 3 team and will be used to progress the resolution of PDRs assigned to the SME 3, and related to AIDC SARPs.

atnp_ccb_sme4@cenatls.cena.dgac.fr

Type of the list: closed

List owner: The Subvolume 4 SME (Tony Kerr <tony.kerr@level-7.co.uk>)

Purpose: This list will only include members of the SME 4 team and will be used to progress the resolution of PDRs assigned to the SME 4.

atnp_wg2_sdm@cenatls.cena.dgac.fr

Type of the list: open

List owner: The WG2 SDM Chair (Stephane Tamalet <tamalet_stephane@stna.dgac.fr>)

Purpose: This list will be opened to any ATN Internet interested party and will be the media used for communication in the scope of the WG2 SARPs Development Mechanism (SDM). The WG2 SDM has been set up by WG2 as a tool providing both configuration control of CNS/ATM-2 SARPs by WG2, and resolution of CNS/ATM-1 SARPs PDRs assigned to the Subvolume V SME by the ATNP CCB. Hence, both the resolution of PDRs assigned to the SME 5 and the resolution of defects on the CNS/ATM-2 ATN ICS SARPs engineering document will be discussed on this list.

atnp_archive@cenatls.cena.dgac.fr

Type of the list: closed

List owner: The ATNP Archive Manager (Thomas Kircher <kircher@cena.dgac.fr>)

Purpose: This list will be used by anybody to submit requests of operation on the archive (e.g. request to store a new document in a well specified directory of the archive). The only members of the list will be the ATNP Archive Manager and his deputy (Christine Ricci <ricci_christine@stna.dgac.fr>)

Note: this new mailing list replaces the former "atn_internet_cm" mailing list (which will be deactivated).

atnp_general@cenatls.cena.dgac.fr

Type of the list: open

List owner: Christine Ricci <ricci_christine@stna.dgac.fr>

Purpose: This list will be opened to any ATN interested party and will be used for ATNP level communications (e.g. schedule of the next meetings)

Note: this new mailing list replace the former "atn-internet-general" mailing list (which will be deactivated).

atnp_wg2@cenatls.cena.dgac.fr

Type of the list: open

List owner: Christine Ricci <ricci_christine@stna.dgac.fr>

Purpose: This list will be opened to any ATN interested party and will be used for WG2 level communications

Note: this new mailing list replace the former "atn-internet-technical" mailing list (which will be deactivated).

Note 1: The following ATNP mailing lists managed on the CENA server will be deactivated:

- **atn-internet-general** (replaced by **atnp_general**)
- **atn-internet-technical** (replaced by **atnp_wg2**)
- **atn-internet-vrci**
- **atn-internet-cm** (replaced by **atnp_archive**)

Note 2: ATNP WG3 level communications are supported by an electronic mail server managed by MITRE in the U.S. The mailing list that has been established on this server in support of the ATN Upper Layers and Applications SARPs development activities is named atnp_wg3 and is accessible at the following address:

atnp_wg3@fluky.mitre.org

3.2. How to use the mailing lists

3.2.1. Subscribing to a list

To subscribe to these lists, use the following procedure:

- send an email to **majordomo@cenatls.cena.dgac.fr**
- the Subject line of the e-mail is not taken into account
- the content of the email should be as follows:

subscribe <name of the list> [<internet-address>]

where *<name of the list>* is either **atnp_ccb_chair**, **atnp_ccb_list**, **atnp_ccb_sme1**, **atnp_ccb_sme2**, **atnp_ccb_sme31**, **atnp_ccb_sme32**, **atnp_ccb_sme4**, **atnp_general**, **atnp_wg2** or **atnp_wg2_sdm**, and [*<internet-address>*] is optional and represents the Internet email address you want to subscribe to the list (note that this field is necessary when this Internet address is not the one from which you send this email)

- An email will be sent in return as soon as the subscription has been accepted (or rejected), containing an explanatory text for use of the mailing list.

3.2.2. Sending an email to a mailing list

To send an email to the members of one of the mailing lists, just address the email to the mailing list address.

The default value of the « Reply-to » field of the messages received via the mailing list is the mailing list, not the original author of the message. This means that, when a subscriber to a mailing list uses the « Reply » button (or equivalent) of their mailer to respond to a message received via the list, the response is sent to that list.

The mailing lists must not be used to distribute large documents: large documents must be put on the ATNP Archive.

3.2.3. Unsubscribing from a list

Whenever you want to unsubscribe from the lists (and please do it if your email address changes), you should use the following procedure:

- send an email to **majordomo@cenatls.cena.dgac.fr**
- the Subject line of the e-mail is not taken into account
- the content of the email should be as follows:

unsubscribe *<name of the list>* [*<internet-address>*]

where *<name of the list>* is either **atnp_ccb_chair**, **atnp_ccb_list**, **atnp_ccb_sme1**, **atnp_ccb_sme2**, **atnp_ccb_sme31**, **atnp_ccb_sme32**, **atnp_ccb_sme4**, **atnp_general**, **atnp_wg2** or **atnp_wg2_sdm**, and [*<internet-address>*] is optional and represents the Internet email address by which you are represented in the mailing list (note that this field is necessary if your email address is not the one from which you send this email).

3.3. Error management for the mailing lists

This section is aimed at describing the typical problems that may be encountered by the members of a mailing list, and provides some advices to avoid these problems.

As a first remark, a message will be processed by the CENA mailing system only if it has reached CENA. Nothing can be done for messages which hasn't reached CENA, except for the author to try and send them again. So please, if you can get a receipt acknowledgement make sure your message has been actually delivered to the CENA.

When a message arrives to the CENA mailing lists, it is forwarded to all the members of the list.

Several error causes can affect the delivery of this message:

- The user or host is unknown from the mail delivery system: In that case, a wrong address has been entered in the mailing list, or the address is not valid anymore. Please don't forget to unsubscribe from the mailing lists in case your address stops to be valid.
- The receiving host is temporarily down: In this case, the mail will be resent during 3 days.
- The content of the message is too long for the receiving mailer. In this case, if possible, the author of the message will be asked to try and send a shorter message or put his document on the ATNP Archive.

- In all the other cases, a re-emission will be tried if nothing clearly indicates why the email didn't reach its destination.

4. Structure of the ATNP Archive

4.1. Location of the ATNP Archive

The ATNP Archive/Server is located at CENA (in Toulouse, France), on a unix machine. The archive is made of a ftp server giving either read or read/write access to a number of directories, which current organization is detailed below.

The Internet address of the ATNP Archive server is: **ftp.cenatls.cena.dgac.fr**

The login name to access this server is: **atnp**

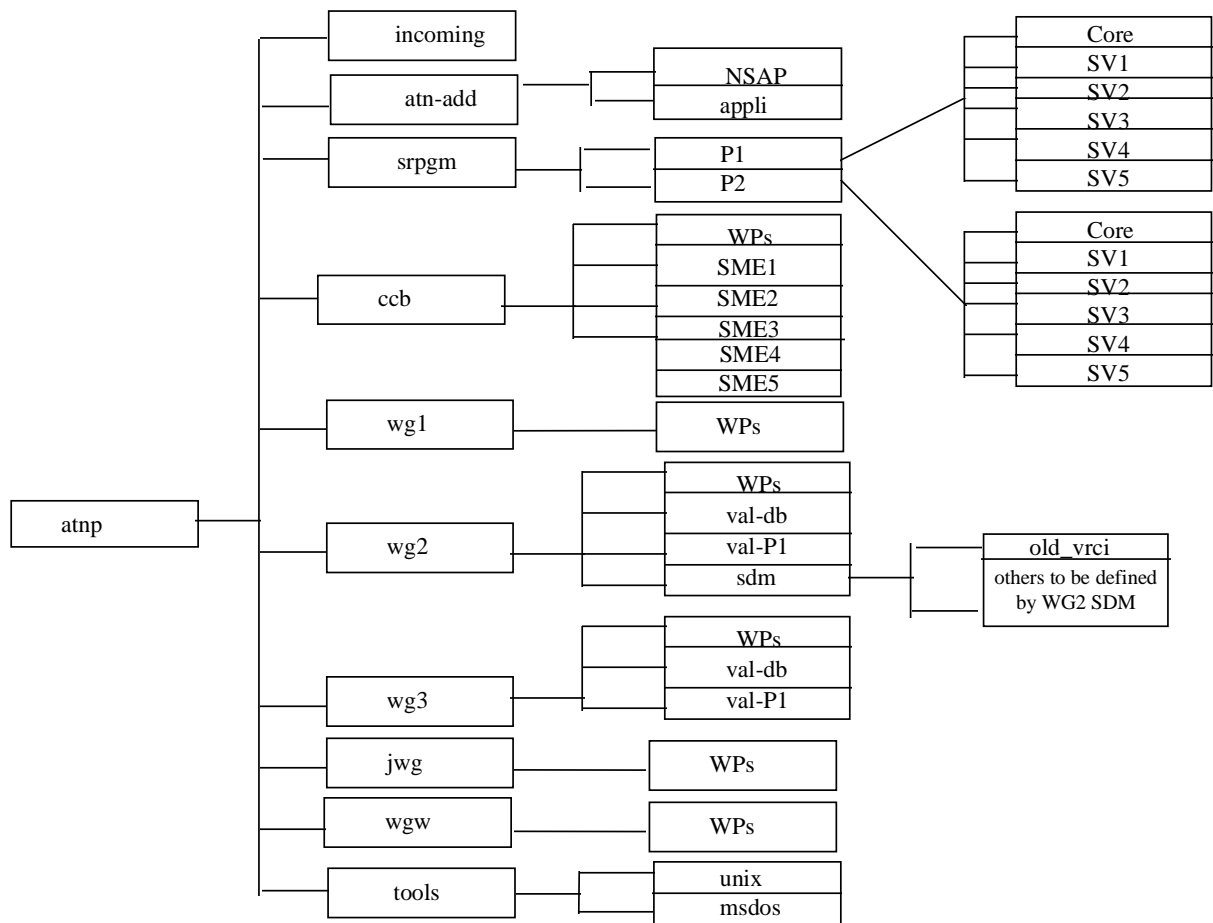
Note: It has changed from the former 'atnvalid' login name.

The password to be used for this login name is: **upplval**

4.2. Structure of the ATNP Archive

The structure of the archive has been modified in order to better suit the new work programme of the ATNP, now focused on the maintenance of the CNS/ATM-1 ATN SARPs and the development of the CNS/ATM-2 ATN SARPs. The new structure takes notably into account the archiving and mailing requirements of the new ATNP CCB.

This new structure is detailed in the following figure:



The **incoming** directory is used to put a document on the Archive, together with an e-mail to the ATNP Archive Manager explaining what this document is and in which directory it should be put. The AAM will then put the document in the requested directories, and send an e-mail to the mailing list concerned with the document. The address of the AAM is atnp_archive@cenatls.cena.dgac.fr. Please note that if no email is sent to the AAM, the document will stay in the incoming directory and will consequently not be accessible to the ATN community.

The **atn-add** directory has been created to archive:

- - The ATN NSAP addresses in the **NSAP** subdirectory
- - The application names in the **appli** subdirectory

The **srpgm** directory is used to archive the different CNS/ATM-1 and CNS/ATM-2 engineering versions of all Sub-volumes of the SARPs and Guidance Material. It consists of 2 subdirectories, **P1** and **P2** which are respectively used to host the CNS/ATM-1 and the CNS/ATM-2 engineering versions. P1 and P2 are themselves sub-divided in 6 subdirectories:

- **Core**: Core part of the CNS/ATM-1 (resp. CNS/ATM-2) Package SARPs&GM
- **SV1**: Sub-volume I of the CNS/ATM-1 (resp. CNS/ATM-2) Package SARPs&GM: Introduction
- **SV2**: Sub-volume II of the CNS/ATM-1 (resp. CNS/ATM-2) Package SARPs&GM: Air/Ground Applications

- **SV3:** Sub-volume III of the CNS/ATM-1 (resp. CNS/ATM-2) Package SARPs&GM: Ground/Ground Applications
- **SV4:** Sub-volume IV of the CNS/ATM-1 (resp. CNS/ATM-2) Package SARPs&GM: Upper Layer Architecture
- **SV5:** Sub-volume V of the CNS/ATM-1 (resp. CNS/ATM-2) Package SARPs&GM: ATN internet communications

The **ccb** directory hosts material specific to the ATNP CCB. This directory consists of the following 6 subdirectories:

- **WPs:** where are stored the CCB Working Papers
- **SME1:** where are archived the PDRs assigned to the Sub Volume 1 SME
- **SME2:** where are archived the PDRs assigned to the Sub Volume 2 SME
- **SME3:** where are archived the PDRs assigned to the Sub Volume 3 SME
- **SME4:** where are archived the PDRs assigned to the Sub Volume 4 SME
- **SME5:** where are archived the PDRs assigned to the Sub Volume 5 SME

The **wg1** directory hosts material specific to the ATN Working Group 1. At the moment, this directory consists of one subdirectory, **WPs**, including the WG1 Working Papers

The **wg2** directory hosts material specific to the ATN Working Group 2. It has been subdivided into the following 4 subdirectories:

- **WPs:** where are stored the WG2 Working Papers.
- **val-db:** where is stored the WG2 ATN Validation database.
- **val-P1:** where is archived the CNS/ATM-1 ICS ATN SARPs validation results and reports.
- **sdm:** this directory is used to archive the defect reports/change proposals which have been submitted to the WG2 SARPS Development Mechanism (SDM).

The **wg3** directory hosts material specific to the ATN Working Group 3. It has been subdivided into the following 3 subdirectories:

- **WPs:** where are stored the WG3 Working Papers.
- **val-db:** where is stored the WG3 ATN Validation database.
- **val-P1:** where are archived the CNS/ATM-1 ATN Upper Layers and Applications SARPs validation results and defect reports issued by WG3.

The **jwg** directory hosts material specific to the co-ordination between the different ATNP Working Groups. At the moment, this directory consists of one subdirectory, **WPs**, including the Joint Working Groups Working Papers

The **wgw** directory hosts material pertaining to the ATN Panel and Working Group of the Whole meetings. At the moment, this directory consists of one subdirectory, **WPs**, including the ATNP and Working Groups of the Whole Working Papers

The **tools** directory hosts unix and msdos utility software commonly used by ATNP members (e.g. zip, unzip).

4.3. Access to the ATNP Archive

The ATNP Archive is an ftp archive, available on the cena 'ftp' machine.

Its Internet address is **ftp.cenatls.cena.dgac.fr**

4.3.1. How to put a document on the Archive

In order to put a document on the ATNP Archive, use the following procedure:

- **ftp ftp.cenatls.cena.dgac.fr**

username: **atnp**

password: **upplval**

ftp> **cd incoming**

ftp> **binary**

ftp> **put <name of the document>**

ftp> **quit**

- then send an email to the AAM at address **atnp-archive@cenatls.cena.dgac.fr** with a short indication of the name of the document, its content, the directory in which you would like the document to be archived, and the mailing list on which you want the archiving to be advertised. The AAM will then transfer the document to the correct directory and send an email to the list aforementioned.

4.3.2. How to get a document from the Archive

- First of all, in the case you don't know where the document you want has been archived, use the following procedure:

- **ftp ftp.cenatls.cena.dgac.fr**

username: **atnp**

password: **upplval**

ftp> **binary**

ftp> **get dir.txt**

ftp> **quit**

Note: The dir.txt file is an automatically generated file containing the list of all the documents you can find on the Archive. This file is updated daily.

- Then in order to get a document from the ATNP Archive, use the following procedure:

- **ftp ftp.cenatls.cena.dgac.fr**

username: **atnp**

password: **upplval**

ftp> **cd <name-of the directory>**

ftp> **binary**

ftp> **get <name of the document>**

ftp> **quit**

4.4. Management of the ATNP Archive

The ATNP Archive is managed by the ATNP Archive Manager (The AAM).

The AAM is: Thomas Kircher (CENA)

Address: 7, Av E. BELIN
BP 4005
31055 TOULOUSE CEDEX
Tel: +33 5 62 25 95 57
Fax: +33 5 62 25 9599
e-mail: kircher@cena.dgac.fr

His deputy is: Christine Ricci (STNA)

Adresse: 1, Av. du Dr GRYNFOGEL
BP 1084
31035 TOULOUSE CEDEX
Tel: +33 5 62 14 54 82
Fax: +33 5 62 14 54 01
e-mail: ricci_christine@stna.dgac.fr

In case you have a problem using the ATNP Archive, you can contact them; but please do not forget that the ATNP Archive is a gracious service provided by the French DGAC, the AAM and his deputy are not « ATNP employees » and consequently, one should preferably try to solve any problem encountered in using the ATNP Archive by reading this document again, before contacting the AAM or his deputy.